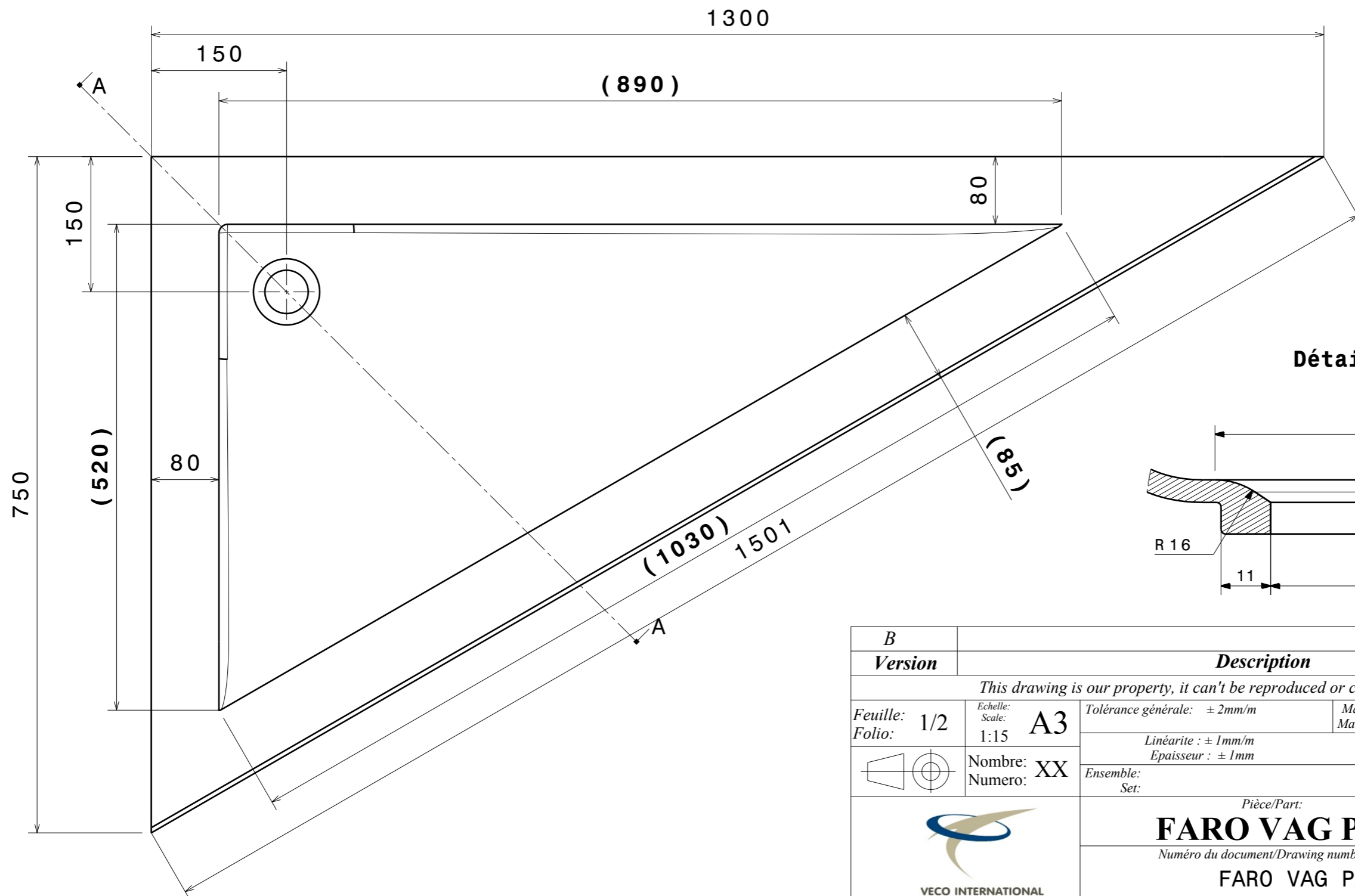
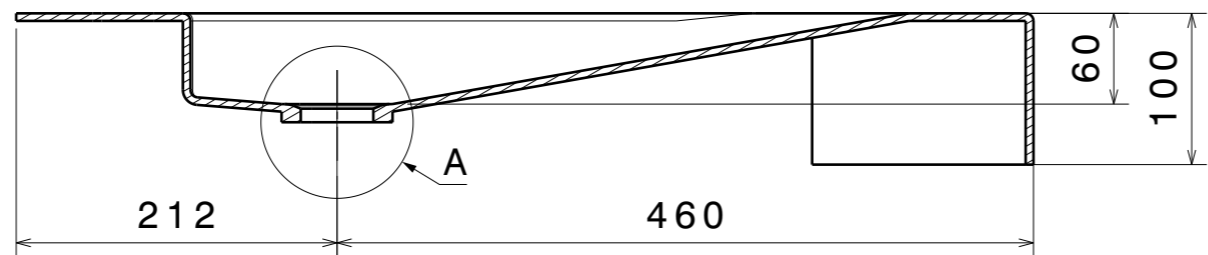
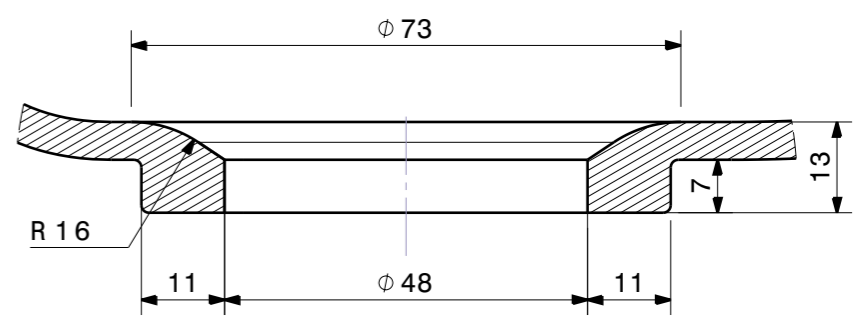


Coupe A-A



Détail A



| | | | |
|---|-----------------------|--|--|
| <i>B</i> | | 11/01/2018 | BRAHIM.J |
| Version | Description | Date | Intervenant |
| This drawing is our property, it can't be reproduced or communicated without our written agreement. | | | |
| Feuille: 1/2 Folio: | Echelle: 1:15 A3 | Tolérance générale: ± 2mm/m Linéarité: ± 1mm/m Épaisseur: ± 1mm | Matière: GRP Masse: Mass: |
| | Nombre: XX Numero: | Ensemble: Set: | Protection: Sous-ensemble: Subset: |
| | | Pièce/Part: FARO VAG PAD Numéro du document/Drawing number: FARO VAG PAD | Etabli par: BRAHIM.J Date: 07/12/2017 |